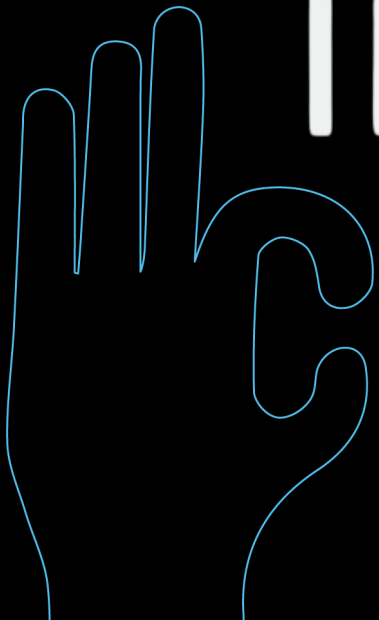




THEIA

Graviton

INNOVATIONS



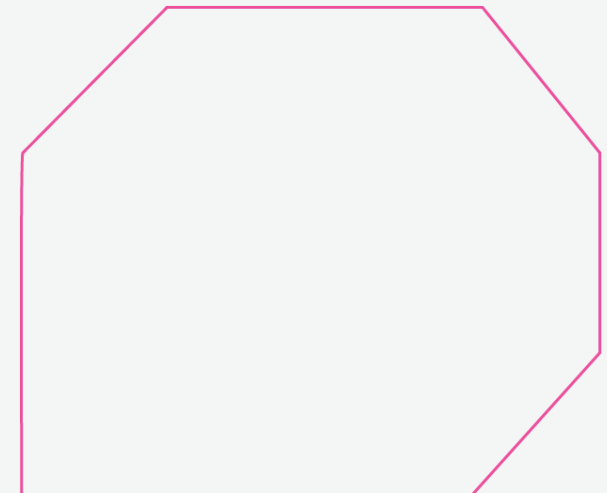


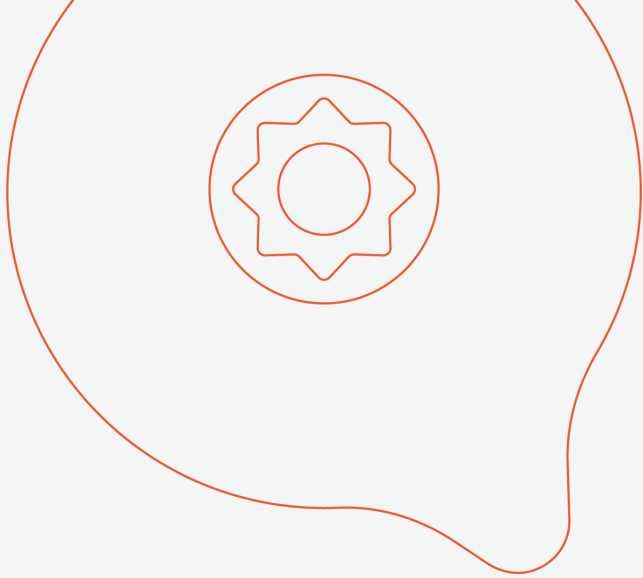
Here for you, and up there, too.

Welcome to the Gravition family! Congratulations with the purchase of your **THEIA**. Before the fun can start, please check:

- Are you a trained professional?
- **Attention:** Only use **THEIA** in combination with Harken Lokhead 500.
Check Harken manual before use.

Now you're good to go.





Index.

- 1 Something about us
- 2 Pre-use checks
- 3 How to assemble your **THEIA**
- 4 Three ways to install
 - a. with baseplate adapter
 - b. with ratchet straps
 - c. with textile friendly rigging
- 5 Installation of winch on your THEIA
- 6 Open position quick pin
- 7 Installation rope on pulley
- 8 Rope angles
- 9 Installation of rope on winch
- 10 Keeping your **THEIA** in shape
- 11 Declaration of Conformity
- 12 Warranty
- 13 Contact



We make your work easier, because we **understand** your world.

Founded by climbers with field experience, **Graviton** is here to solve problems you didn't even know existed. Our mission is clear: to deliver quality products through **meticulous design** and **advanced engineering**.

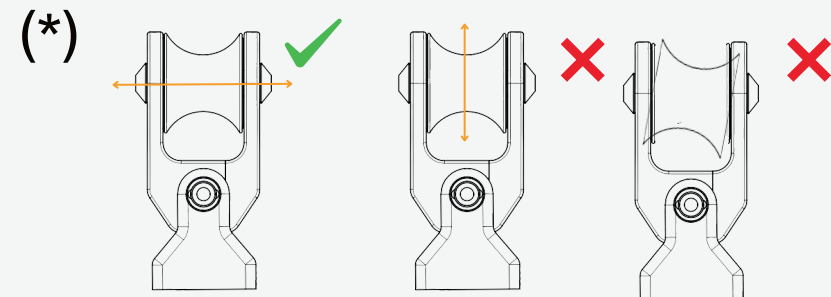
As they say, the sky is the beginning. From our first to our latest creations. Graviton is committed to making life easier for those who depend on **solid gear** at serious heights.

Our focus is on **practical solutions** that enhance **safety** and performance in demanding environments, ensuring tangible benefits. We did a damn good job of making our products look good, but always prioritize **quality** and rigorously testing and certifying our products for **reliability**.

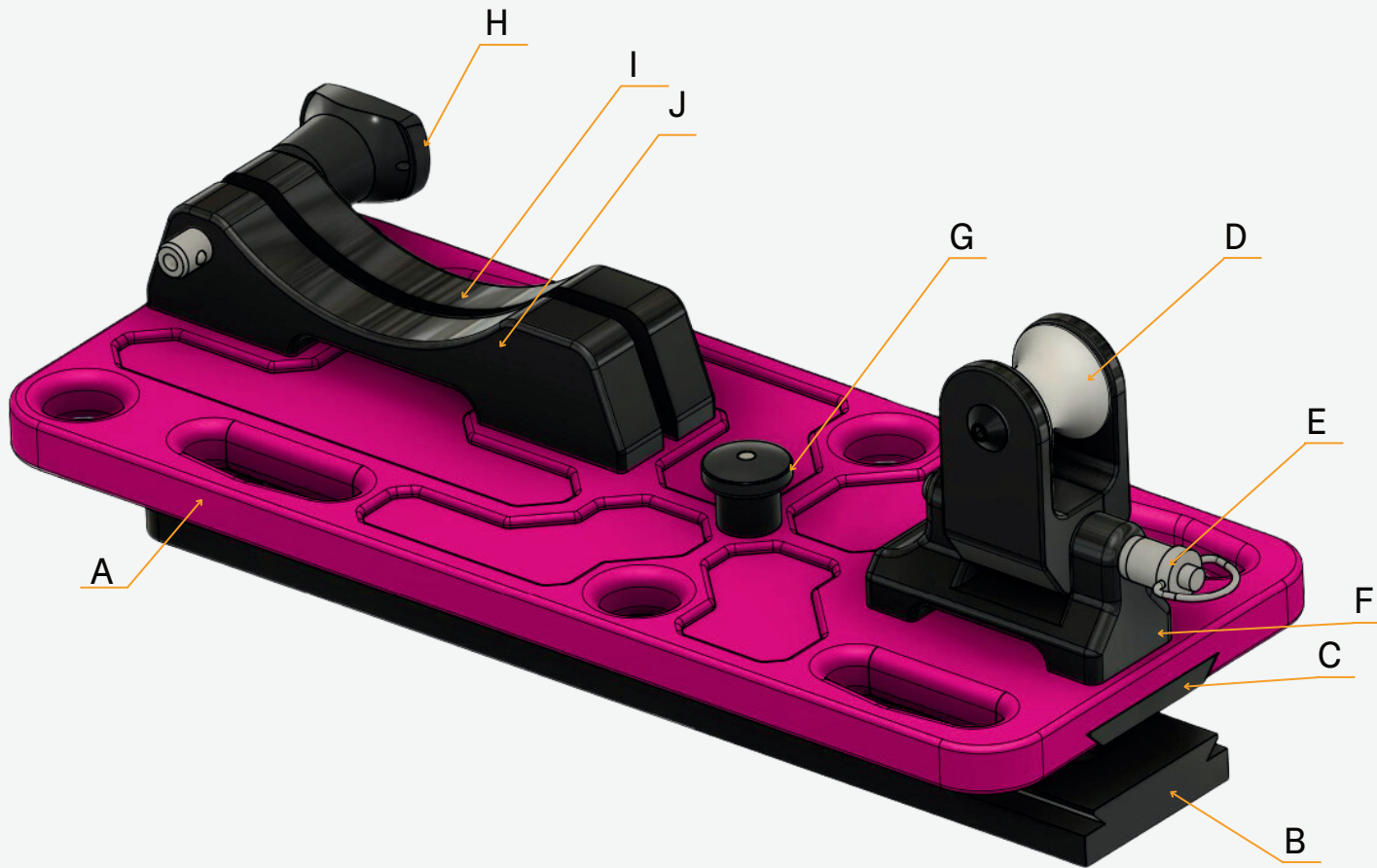
Pre-use checks.

Always check:

- For cracks, deformations and possible damages (we strive for perfection, but anything can happen in transport).
- Check if the pulley rotates freely around the axis and the quickpin. Some movement in the axial direction is normal but there should be no other visible play (*).
- Are all the bolts in place and securely tightened?
- Do the quick pins move and lock? If the answer is yes, we are happy (if not, adjust)!

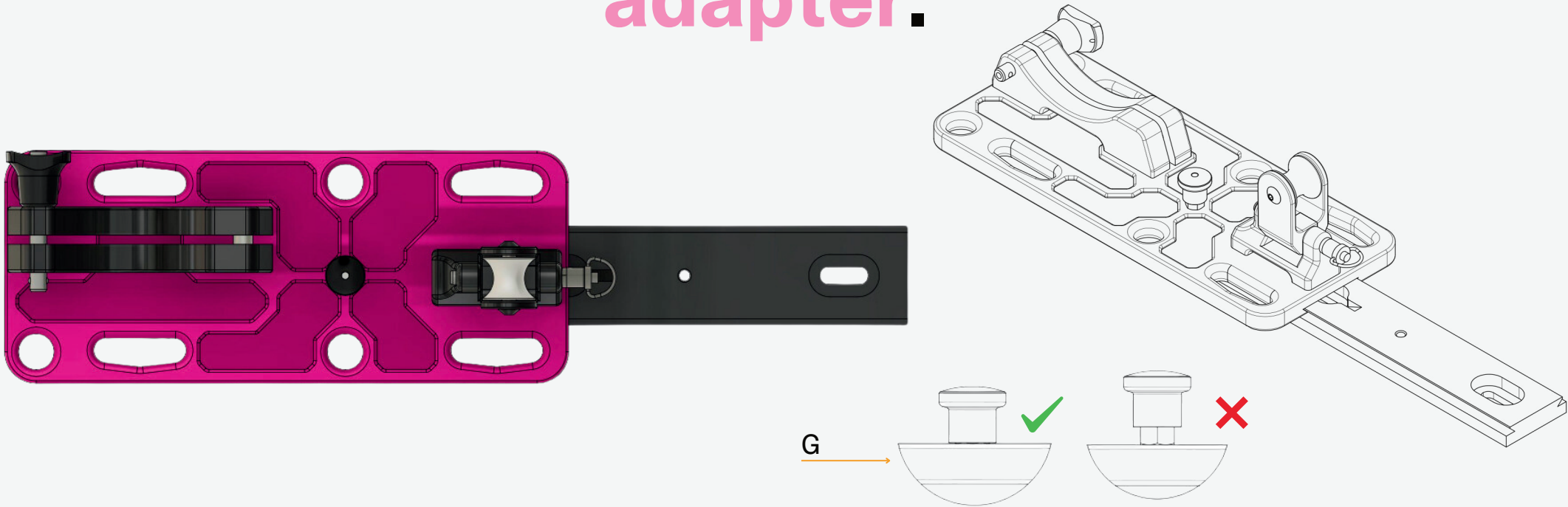


How to assemble your **THEIA**.



- A Baseplate
- B Baseplate adapter
- C Slot protector
- D Pulley
- E Pulley quick pin
- F Pulley bracket
- G Baseplate adapter lock
- H Winch quick pin
- I Lockhead bracket left
- J Lockhead bracket right

Installation with baseplate adapter.



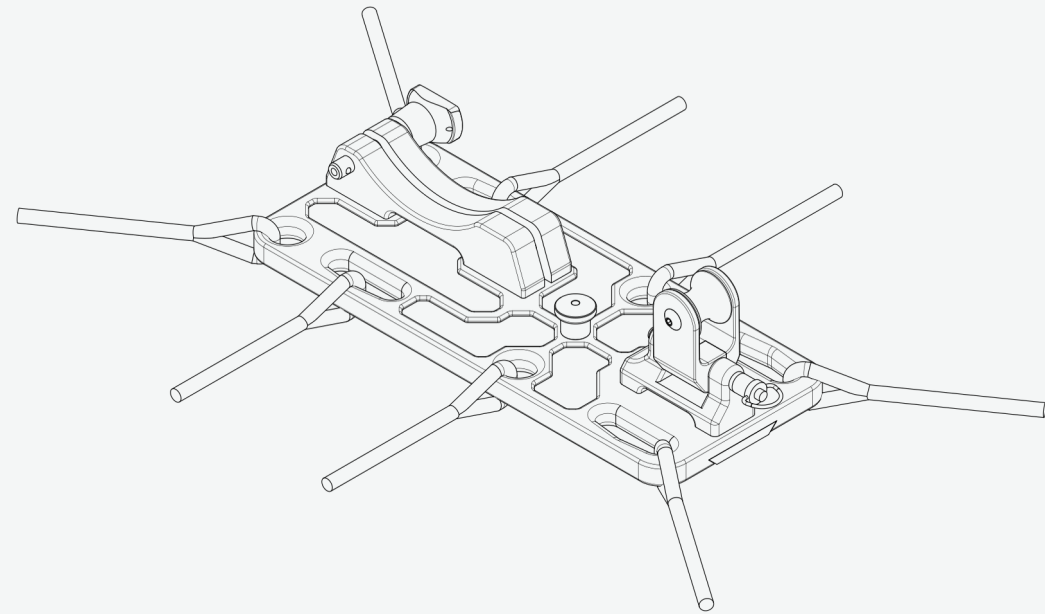
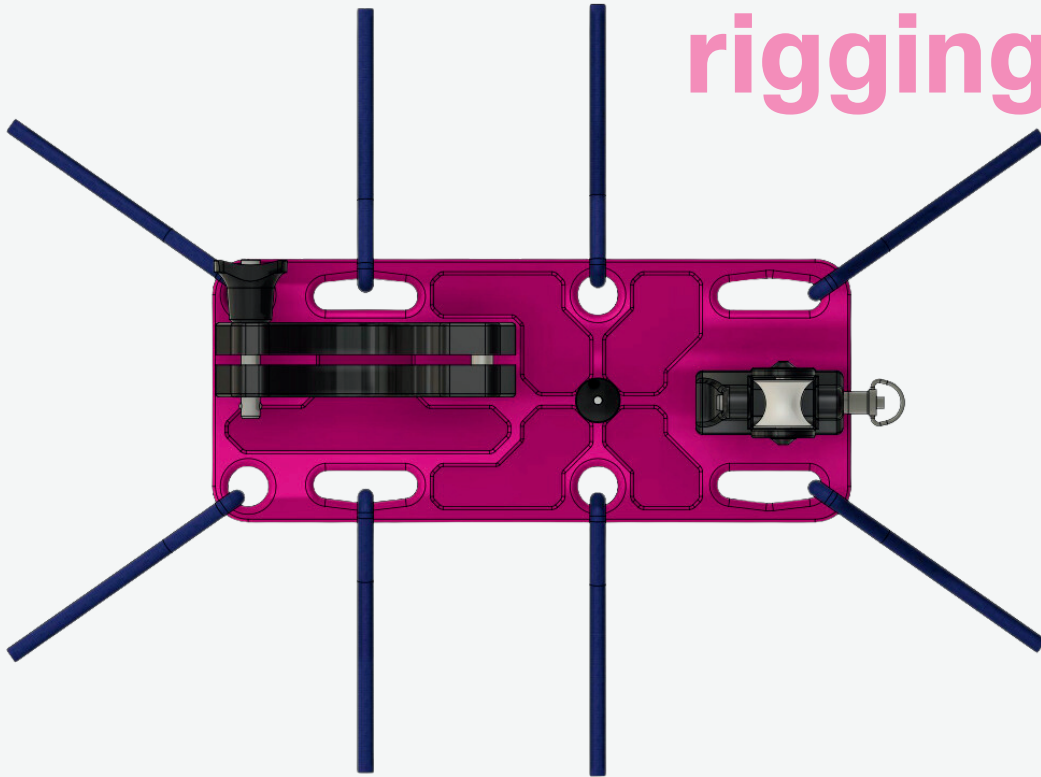
Installation of baseplate use:

- Two M12 class 8.8 (minimum or higher) bolts with M12 washers.

Make sure that the baseplate:

- Is mounted on a flat surface that meets a minimum of 25kN.
- Is fully inserted from the **right** side.
- The adapter lock (G) is fully **locked**.

Installation with **textile friendly rigging points.**



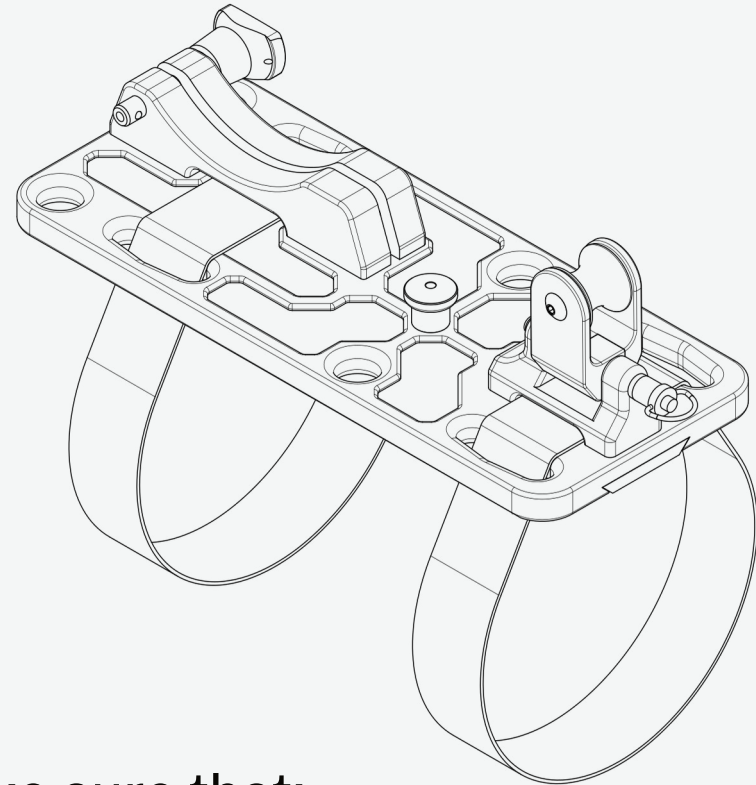
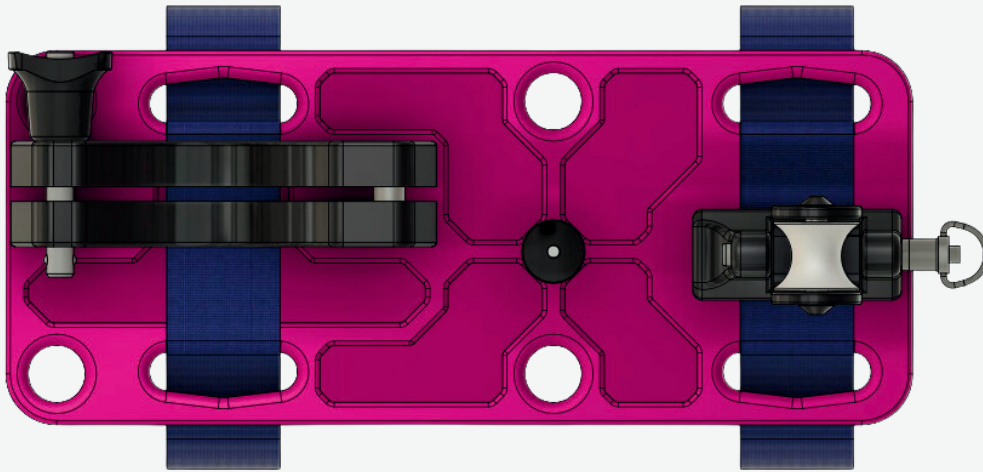
Suspended installation using textile friendly rigging points:

- Use adequate rigging materials at least two connections. Rope, webbing, connectors.

Always use:

- In combination with **slot protector (C)**.

Installation with **ratchet straps**.



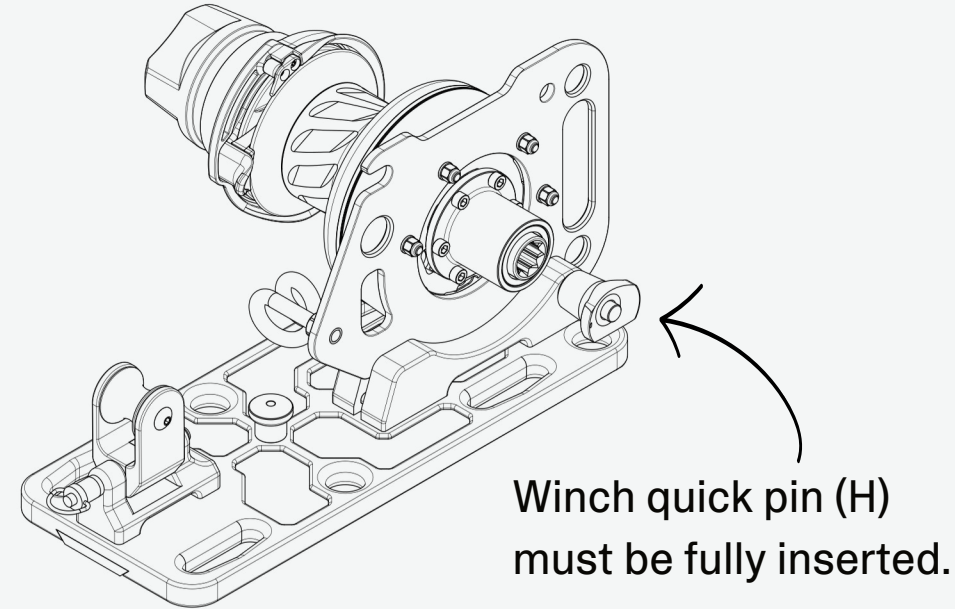
For installation with ratchet straps use:

- Two 50mm ratchet straps of at least 25 kN a piece.

Make sure that:

- Strap goes **underneath** the **pulley bracket (F)** and **underneath** the **winch brackets (I+J)**.
- Always use in combination with **slot protector (C)**.

Installation of winch on your **THEIA**.



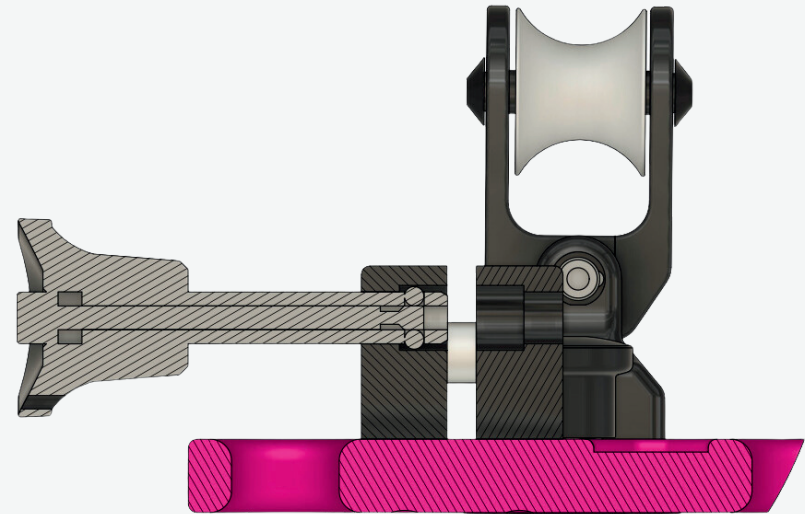
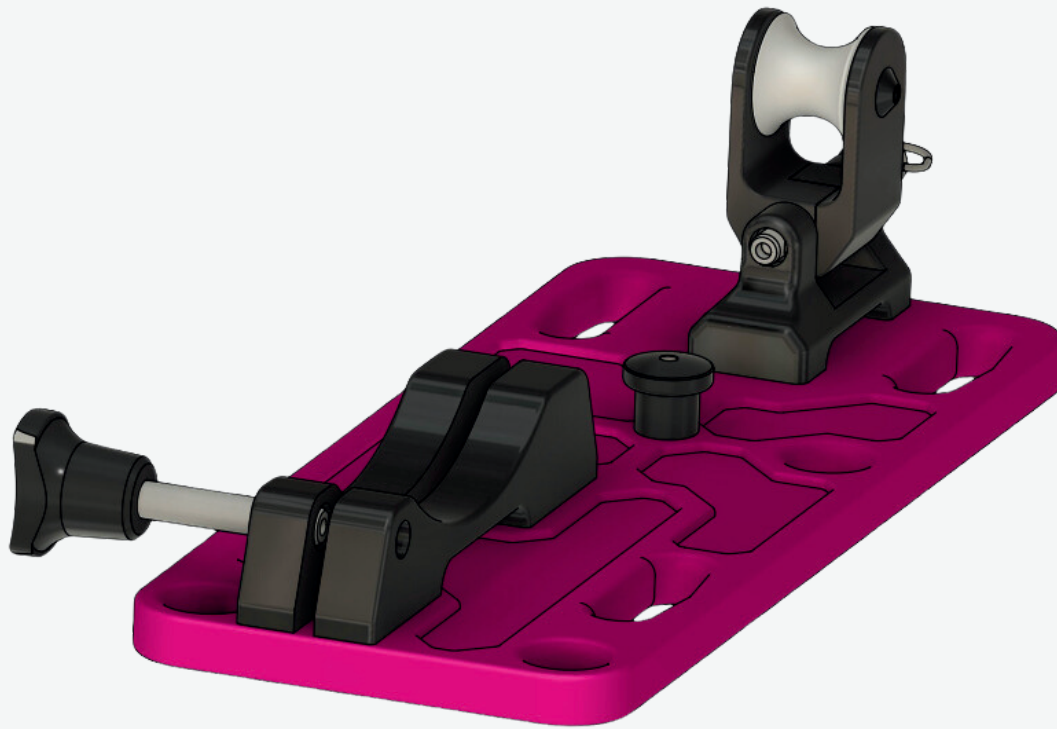
Note:

Pigtail is not mandatory. If you do use the pigtail, the rope must run through it.

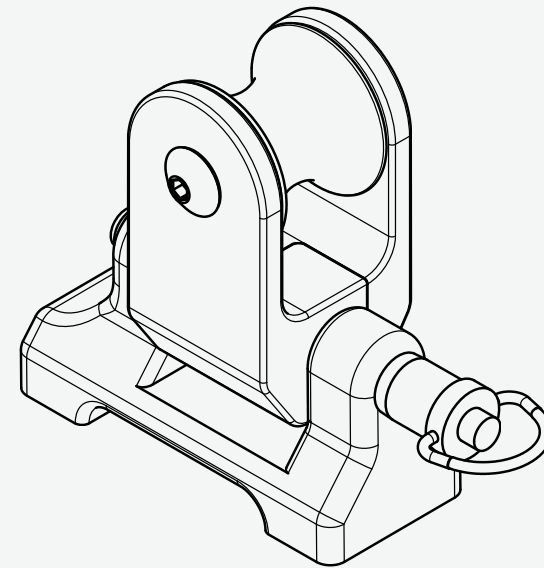
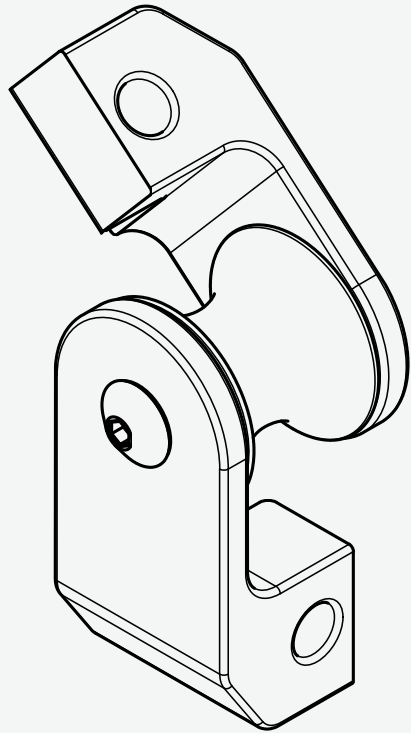
Always check for:

- Winch quick pin function.
- Correct position of the winch on your **THEIA**.

Open position **quick pin.**



Installation of rope on pulley.



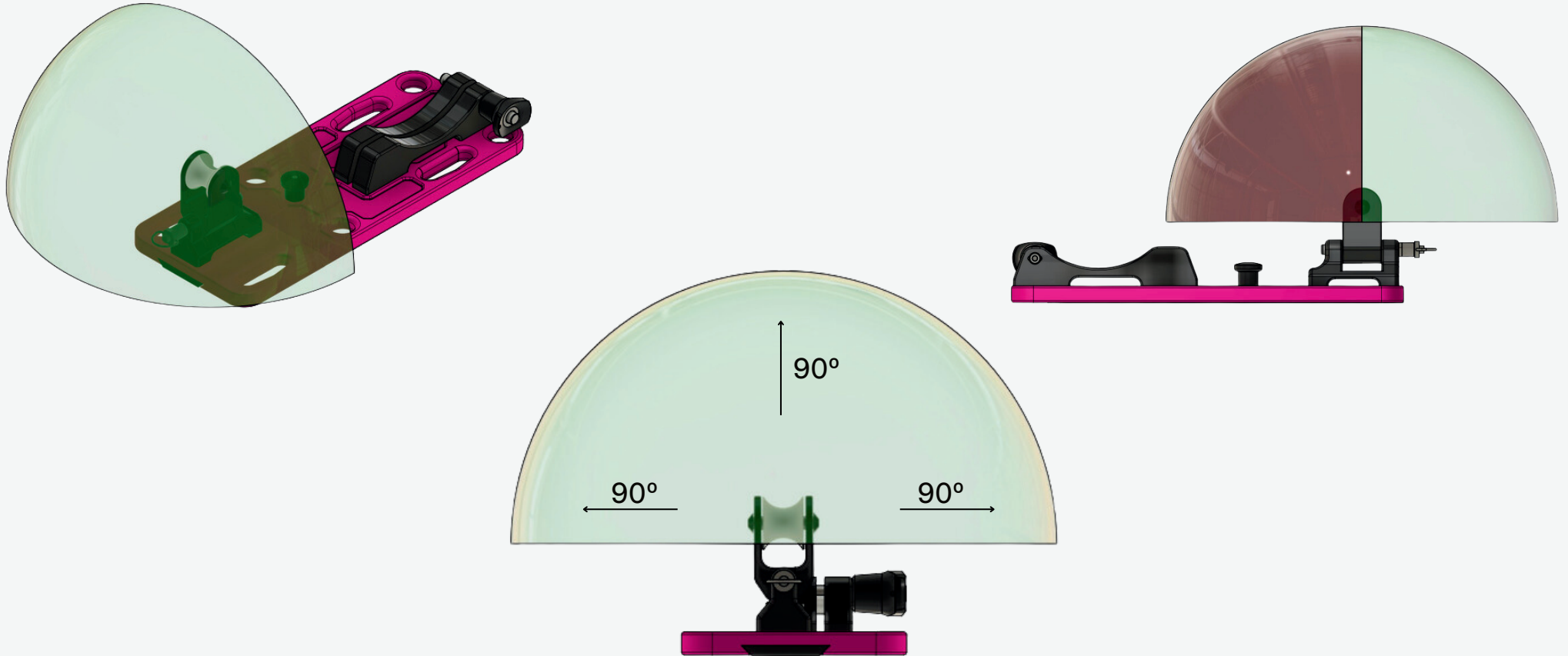
For installing rope:

- Pulley can be opened.
- Pulley quick pin (E) can be inserted from both sides.

Make sure that:

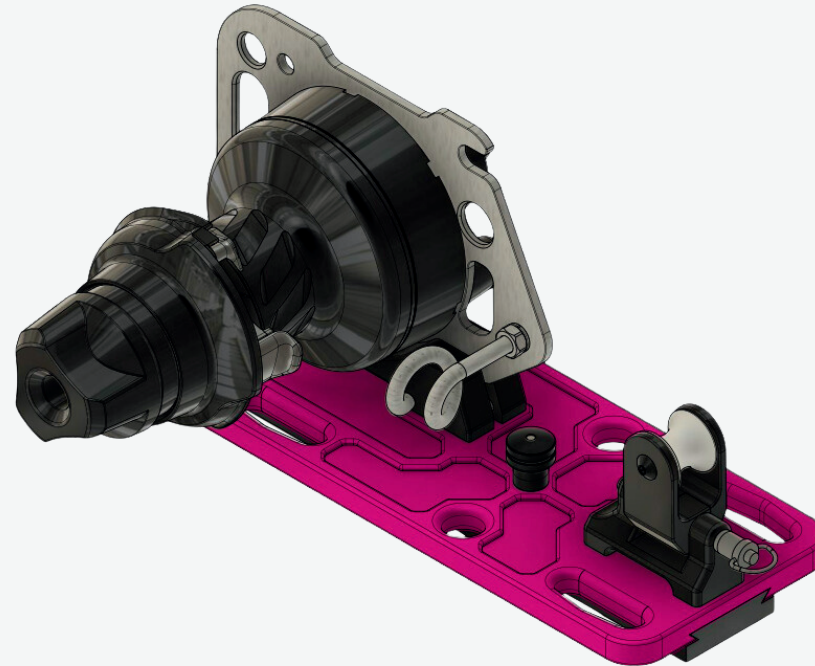
- Pulley quick pin (E) must always be locked.
- Check pulley function before use.

Rope angles.



Ensure that the rope angles can't be less than 90 degrees relative to the pulley. Make sure to use the pulley.

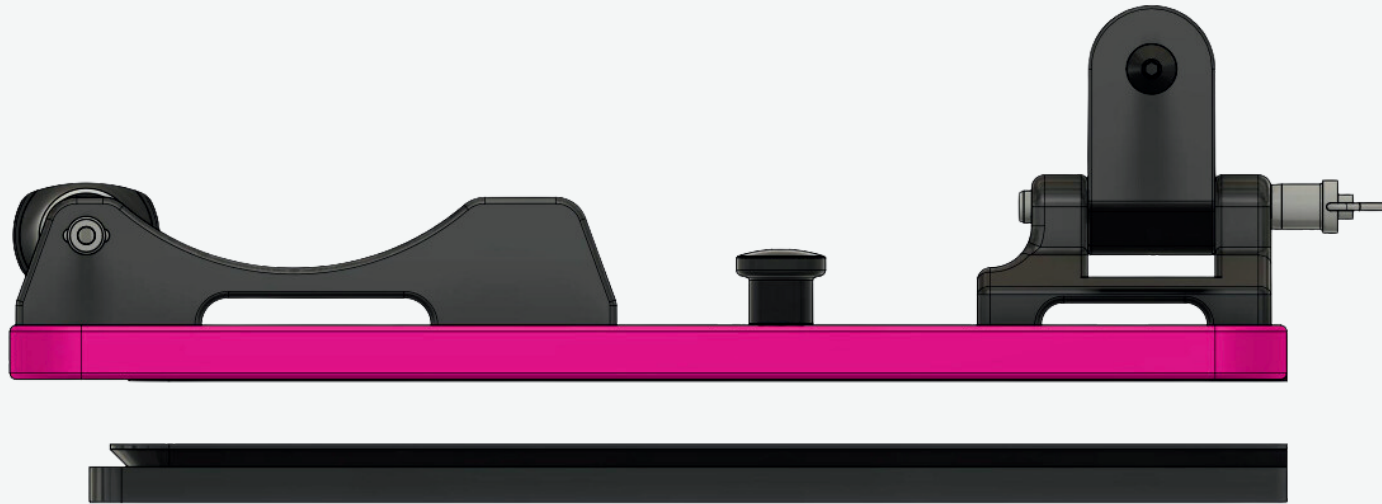
Installation of rope on **winch**.



For the installation of the rope on the winch please use the manual of the **Harken LokHead 500 winch**.



Keeping your **THEIA** in shape.



THEIA loves to stay **clean** and feel seen, so always **visually** inspect her before use. Make sure there are **no cracks** or **deformations** and all **bolts** are securely **tightened**.

Have her checked at least once every 12 months by a competent person (approved by the manufacturer).

Declaration of Conformity.

This EU declaration of conformity is issued under the sole responsibility of the manufacturer:
Graviton Innovations BV – Hoefstraat 4, 5492CE, Sint-Oedenrode, The Netherlands

It is declared that, for all manufacturing batches, the following product **GRAVITON INNOVATIONS** - **THEIA** complies with the essential requirements defined by the following directives and to the pertinent harmonised European standard(s):

- Directive 2006/42/CE of the European Parliament and Council of 17th May 2006 concerning "machines" amending directive 95/16/CE;
- Technical standards used: EN 1496:2017 Class B
- The examination of the EN1496:2017 Class B technical standards was carried out by the following notified body. DOLOMITICERT s.c.a.r.l. - Zona Industriale Villanova, 7/A - 32013, Longarone (BL) - Italy - N.2008 which issued the following report(s)
 - 231743 - 13/12/2023
 - 240355 – 15/03/2024

Warranty.

At Graviton, we stand by our products with pride and assurance. The **THEIA** is covered under our comprehensive warranty as outlined in the general conditions of sale. Here's what you need to know:

Should your **THEIA** prove defective or encounter any issues during the warranty period, we've got you covered. Our commitment is to repair or replace any faulty components after a thorough inspection by our team.

Important Considerations:

- **Modifications:** Any modifications made by the user without prior written authorization from Graviton will void the warranty. Such unauthorized changes release Graviton from any liability for damages caused by the defective product.
- **Spare Parts:** Using non-original spare parts or those not explicitly specified by Graviton will also void the warranty and release us from liability.

For these reasons, we strongly advise all customers to contact Graviton technical support for any assistance or when in doubt.

Please read the instructions in this manual carefully and follow all guidelines before using your **THEIA**. This ensures optimal performance and helps maintain the integrity of your warranty.



Graviton



Contact.

Contact

+31-(0)85 – 1301 789

sales@gravitoninnovations.com

Postal address

PO Box 125 - 5490 AC

Sint-Oedenrode

The Netherlands

THEIA coloring page.

